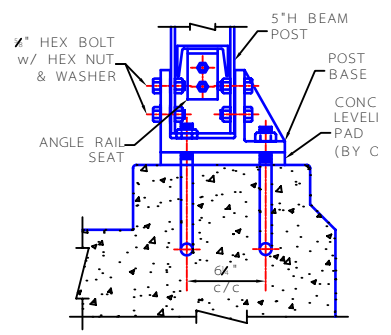
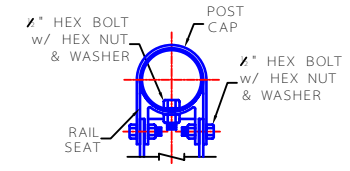


MATERIAL SPECIFICATIONS:

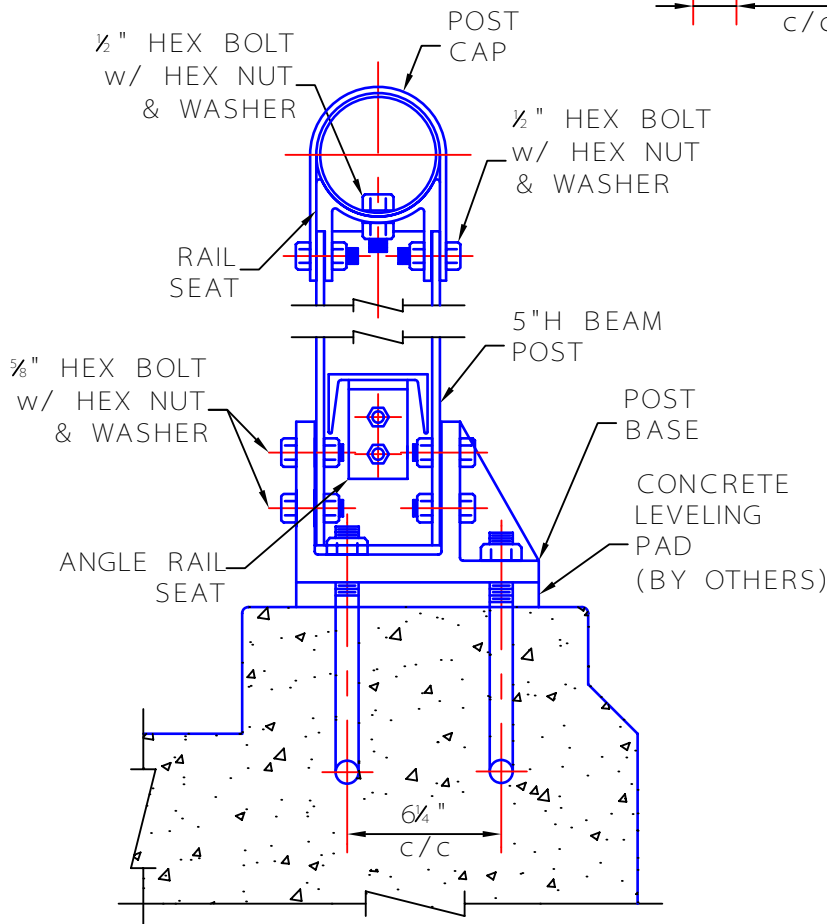
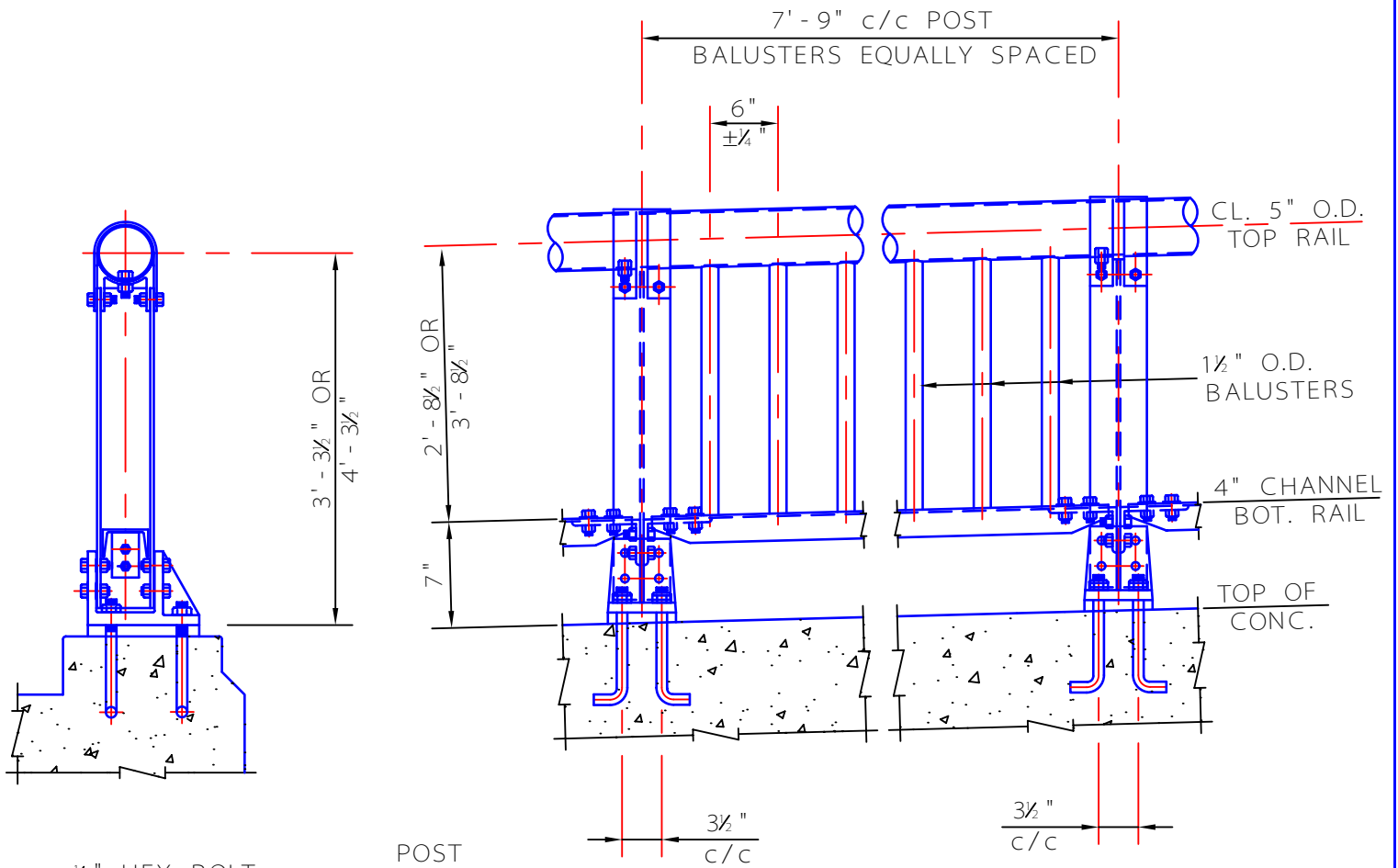
- POST:** ALUMINUM A.S.T.M. B221, ALLOY 6061 - T6.
- POST CAP:** ALUMINUM A.S.T.M. B221, ALLOY 6061 - T6.
- POST BASE:** CAST ALUMINUM A.S.T.M. B108, ALLOY A356 - T6.
- RAIL & BALUSTERS:** EXTRUDED ALUMINUM A.S.T.M. B221, ALLOY 6061 - T6.
- END PLATE:** ALUMINUM A.S.T.M. B209, ALLOY 6061 - T6.
- RAIL HARDWARE:** ALUMINUM BOLT A.S.T.M. B311, ALLOY 2024 - T4, ALUMINUM HEX NUT A.S.T.M. B211, ALLOY 6061 - T6, ALUMINUM FLAT WASHERS A.S.T.M. B209, ALLOY 2024 - T4.
- ANCHOR HARDWARE:** STEEL ROD A.S.T.M. A36, STEEL HEX NUT A.S.T.M. A563, & STEEL FLAT WASHER A.S.T.M. F436, GALVANIZE PER A153.



L. B. FOSTER COMPANY
 1016 GREENTREE ROAD
 PITTSBURGH, PA. 15220

BRIDGE RAIL SYSTEM FOR:
 PENNSYLVANIA

STYLE:	FABRICATED
TYPE:	PEDESTRIAN
MATERIAL:	ALUMINUM



MATERIAL SPECIFICATIONS:

- POST: ALUMINUM A.S.T.M. B221, ALLOY 6061-T6.
- POST CAP: ALUMINUM A.S.T.M. B221, ALLOY 6061-T6.
- POST BASE: CAST ALUMINUM A.S.T.M. B108, ALLOY A356-T6.
- RAIL & BALUSTERS: EXTRUDED ALUMINUM A.S.T.M. B221, ALLOY 6061-T6.
- END PLATE: ALUMINUM A.S.T.M. B209, ALLOY 6061-T6.
- RAIL HARDWARE: ALUMINUM BOLT A.S.T.M. B211, ALLOY 2024-T4. ALUMINUM HEX NUT A.S.T.M. B211, ALLOY 6061-T6. ALUMINUM FLAT WASHERS A.S.T.M. B209, ALLOY 2024-T4.
- ANCHOR HARDWARE: STEEL ROD A.S.T.M. A36, STEEL HEX NUT A.S.T.M. A563, & STEEL FLAT WASHER A.S.T.M. F436, GALVANIZE PER A153.