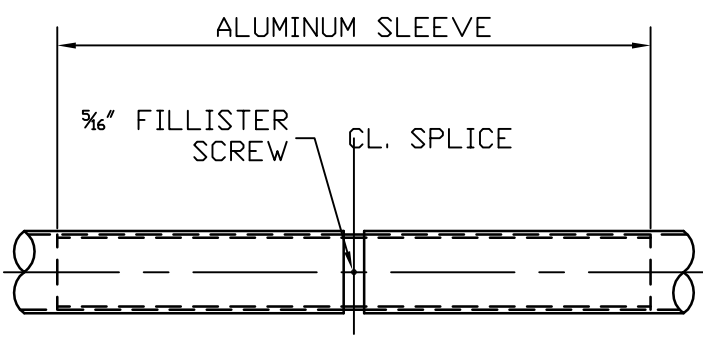
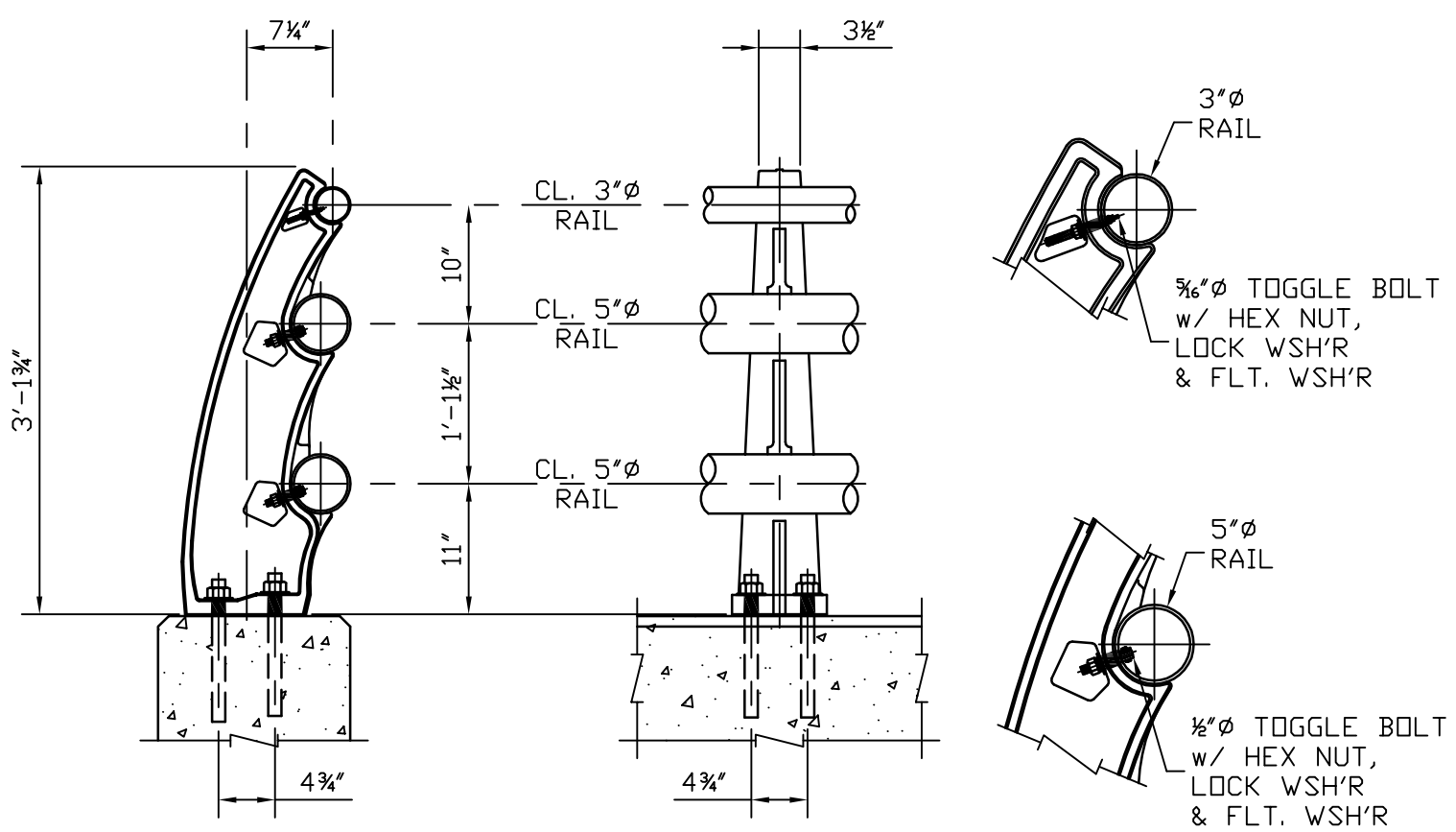


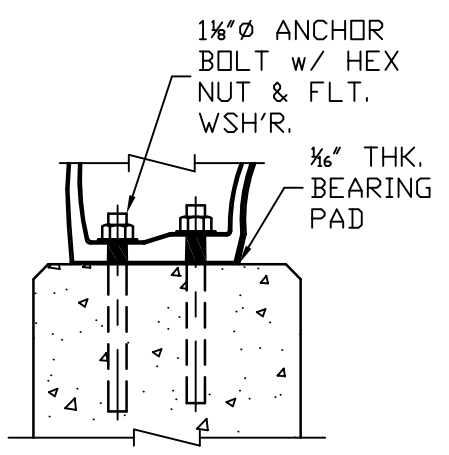
L. B. FOSTER COMPANY  
 1016 GREENTREE ROAD  
 PITTSBURGH, PA. 15220

BRIDGE RAIL SYSTEM FOR:  
**VIRGINIA**

STYLE:	CAST
TYPE:	3-LINE
MATERIAL:	ALUMINUM



RAIL SPLICE



MATERIAL SPECIFICATIONS:

- POST: ALUMINUM CAST PER AASHTO M193.
- RAIL: EXTRUDED ALUMINUM A.S.T.M. B221, ALLOY 6061-T6 OR 6351-T5.
- RAIL SPLICE: ALUMINUM A.S.T.M. B221, ALLOY 6061-T6 OR 6351-T5.
- END CAP PLATE: ALUMINUM A.S.T.M. B209, ALLOY 6061-T6.
- RAIL HARDWARE: TOGGLE BOLT A.S.T.M. A322. FLAT WASHERS A.S.T.M. A569. NUT A.S.T.M. A311.
- ANCHOR HARDWARE: THREADED ROD, A.S.T.M. M314, GR. 55. HEX NUT, A.S.T.M. A563 GR. DH, GALVANIZED PER A153. FLAT WASHER, A.S.T.M. F436, GALVANIZED PER A153.