

L. B. FOSTER COMPANY
 1016 GREENTREE ROAD
 PITTSBURGH, PA. 15220

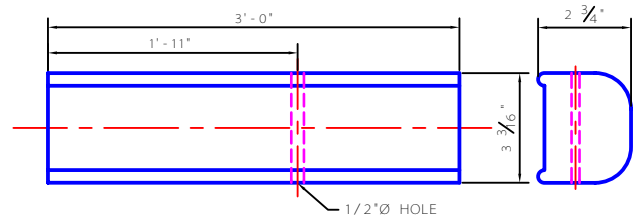
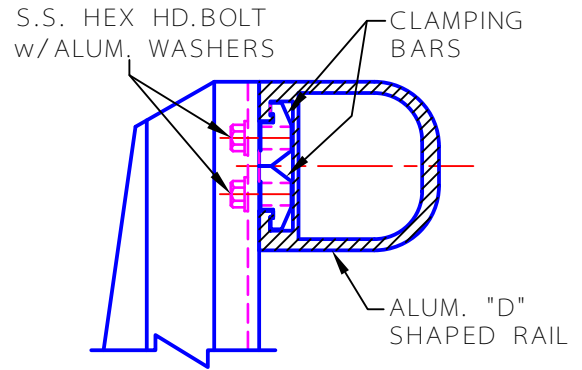
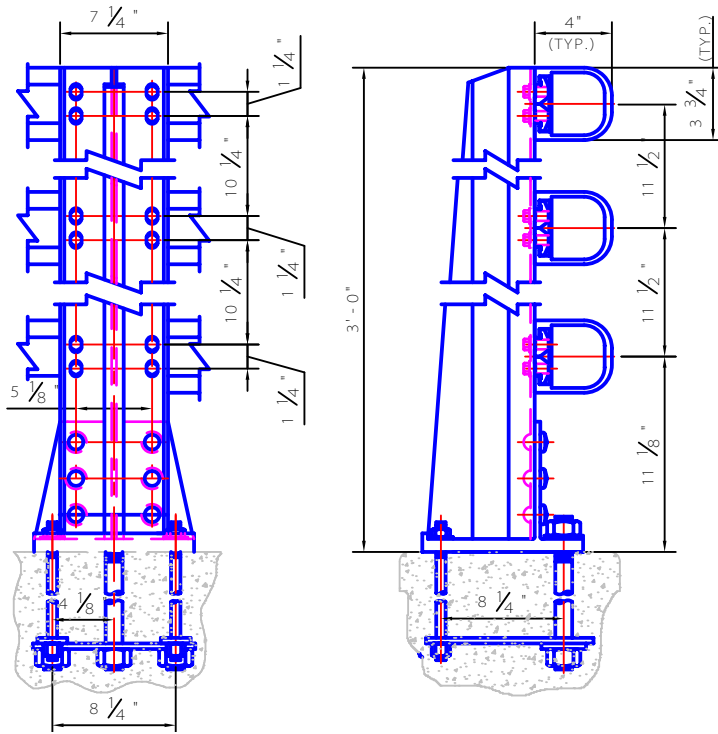
BRIDGE RAIL SYSTEM FOR:

NEW JERSEY

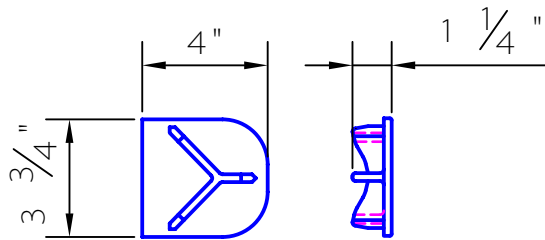
STYLE: FABRICATED

TYPE: 3 - LINE

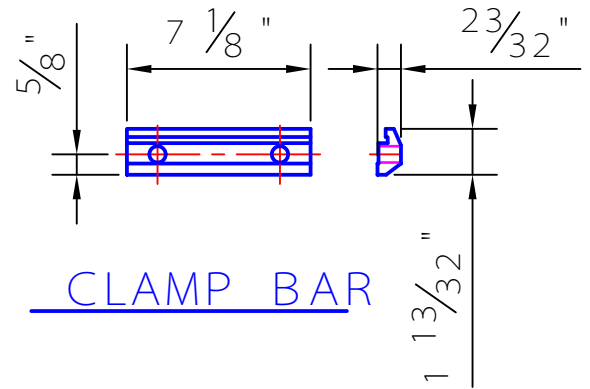
MATERIAL: ALUMINUM



RAIL SPLICE



RAIL END CAP



CLAMP BAR

MATERIAL SPECIFICATIONS:

RAILS, POSTS, BASES, SPLICES AND CLAMP BARS:

ALUMINUM A.S.T.M. B221, ALLOY 6061-T6

RIVETS:

ALUMINUM B316, ALLOY 6061-T6, BUTTON HD.,
 CONE PT.

CLAMP BAR BOLTS:

A.S.T.M. F593, TYPE 304

ALUMINUM WASHERS:

A.S.T.M. B209, 2024-T3

TOP ANCHOR STUDS:

A.S.T.M. A276, TYPE 304 or 430, ANNEALED

BOTTOM ANCHOR RODS:

A.S.T.M. A36

ALUMINUM TOP NUTS:

A.S.T.M. B211, 6061-T6

STEEL HEX NUTS:

A.S.T.M. A563, GRADE C or BETTER

ALUMINUM END CAPS:

A.S.T.M. B26, 356-T6

ANCHOR PLATES & CONNECTOR ANGLES:

A.S.T.M. A36

S.S. ROUND HD. BOLTS:

300 SERIES

ALUMINUM SHIMS:

A.S.T.M. B209, 1100-0

