

MATERIAL SPECIFICATIONS:

POST: FABRICATED ALUMINUM A.S.T.M. B221, ALLOY 6061-T6.

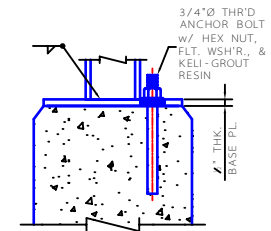
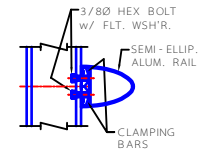
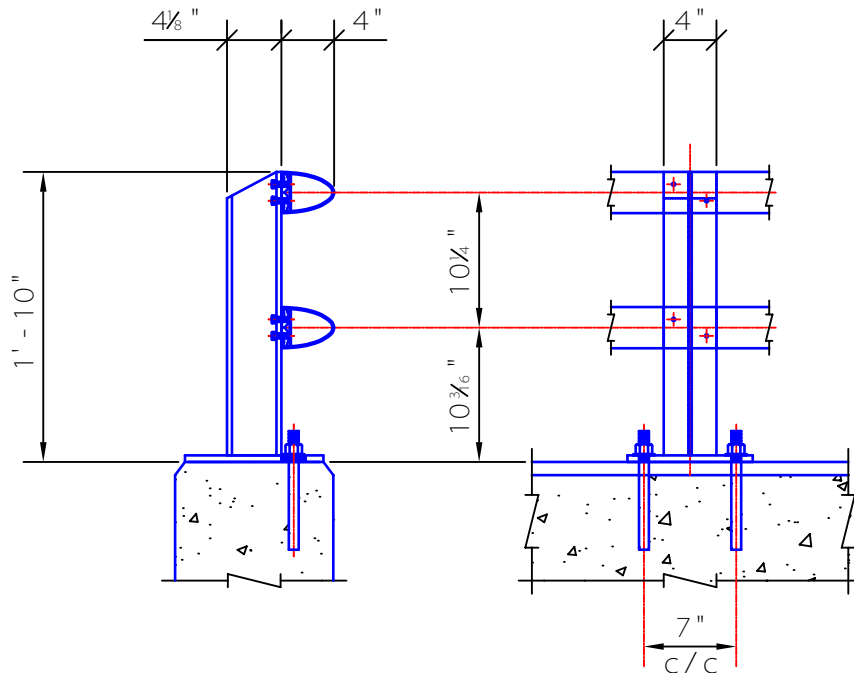
RAIL: EXTRUDED ALUMINUM A.S.T.M. B221, ALLOY 6061-T6.

RAIL SPLICE & CLAMP BAR: ALUMINUM A.S.T.M. B221, ALLOY 6061-T6.

END CAP: CAST ALUMINUM A.S.T.M. B26, ALLOY 356-F.

RAIL HARDWARE: (2) 3/8"Ø HEX HEAD CAP SCREW, STAINLESS STEEL A.S.T.M. F593, ALLOY TYPE 304. (2) 7/8"Ø.D. x 13/32" I.D. x .062" THICK ALUMINUM FLAT WASHERS, A.S.T.M. B209, ALCLAD 2024-T4.

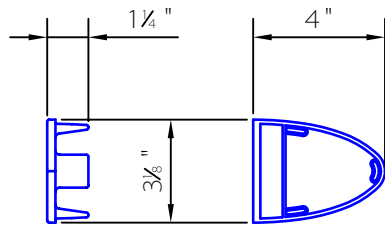
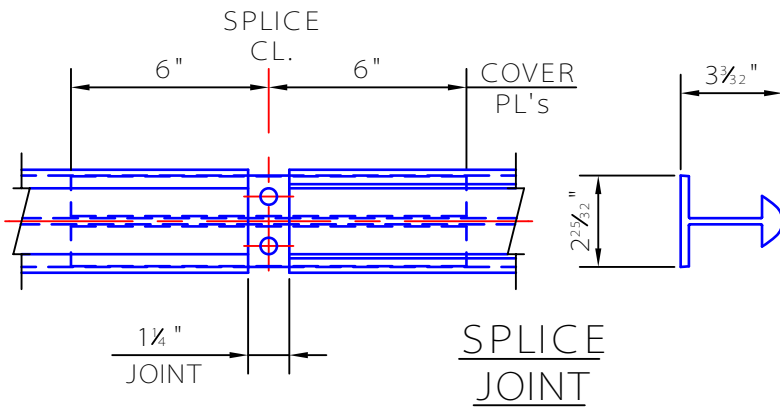
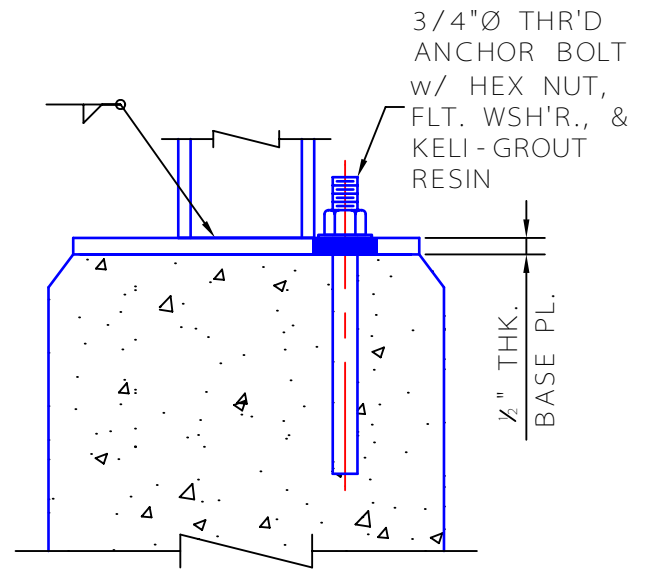
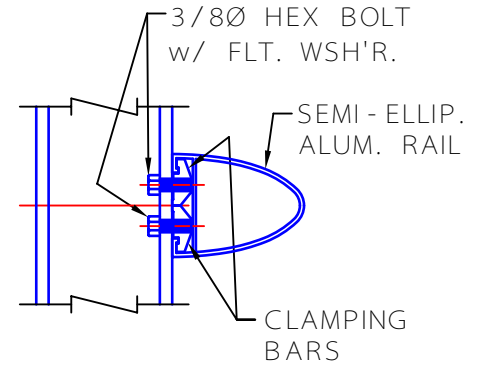
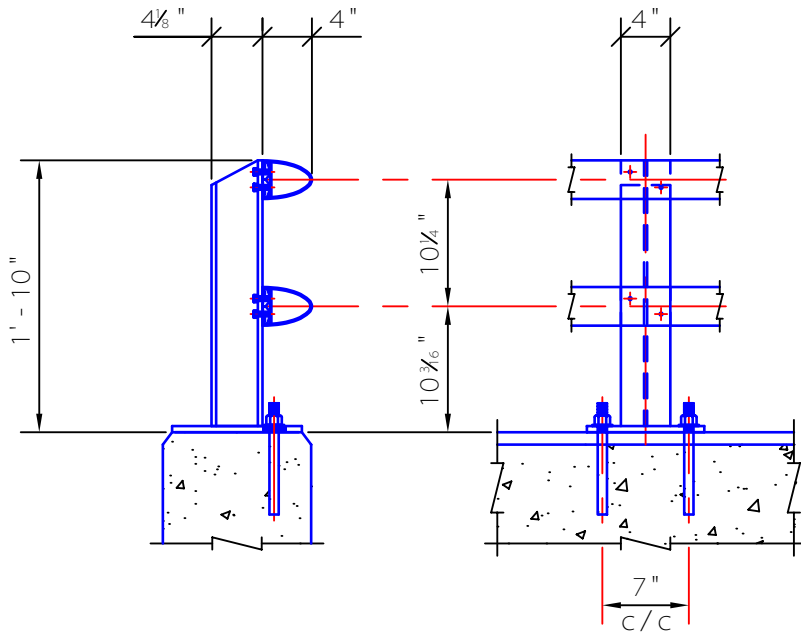
ANCHOR HARDWARE: (4) 3/4"Ø FULLY THREADED ROD, A.S.T.M. A36, GALVANIZED PER A153. (4) HEX NUT, A.S.T.M. A563, GALVANIZED PER A153. (4) FLAT WASHER, A.S.T.M. F436, GALVANIZED PER A153.



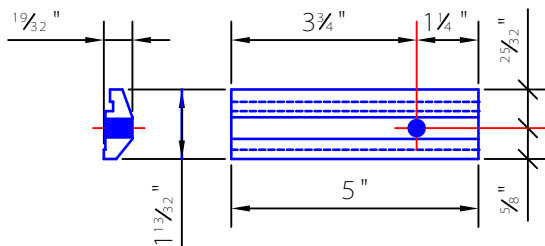
L. B. FOSTER COMPANY
 1016 GREENTREE ROAD
 PITTSBURGH, PA. 15220

BRIDGE RAIL SYSTEM FOR:
 WEST VIRGINIA

STYLE:	FABRICATED
TYPE:	2 - LINE
MATERIAL:	ALUMINUM



RAIL CAP



CLAMP BAR

MATERIAL SPECIFICATIONS:

POST: FABRICATED ALUMINUM A.S.T.M. B221, ALLOY 6061-T6.

RAIL: EXTRUDED ALUMINUM A.S.T.M. B221, ALLOY 6061-T6.

RAIL SPLICE & CLAMP BAR: ALUMINUM A.S.T.M. B221, ALLOY 6061-T6.

END CAP: CAST ALUMINUM A.S.T.M. B26, ALLOY 356-F.

RAIL HARDWARE: (2) 3/8"Ø HEX HEAD CAP SCREW, STAINLESS STEEL A.S.T.M. F593, ALLOY TYPE 304. (2) 7/8"O.D. x 13/32" I.D. x .062" THICK ALUMINUM FLAT WASHERS, A.S.T.M. B209, ALCLAD 2024-T4.

ANCHOR HARDWARE: (4) 3/4"Ø FULLY THREADED ROD, A.S.T.M. A36, GALVANIZED PER A153. (4) HEX NUT, A.S.T.M. A563, GALVANIZED PER A153. (4) FLAT WASHER, A.S.T.M. F436, GALVANIZED PER A153.